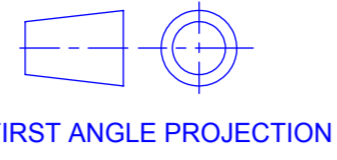


PUBLICATION P12.270

ISSUE: 3

If this document is printed in hardcopy, it is for information use only and therefore is not subject to updating controls. Always refer to viewer for latest issue.



THIS DRAWING IS CONFIDENTIAL AND IS SUPPLIED ON THE EXPRESS CONDITION THAT IT SHALL NOT BE LOANED OR COPIED OR DISCLOSED TO ANY OTHER PERSON OR USED FOR ANY OTHER PURPOSE WITHOUT THE WRITTEN CONSENT OF AP RACING LTD.



AP Racing
Wheler Road
Coventry
CV3 4LB

Tel: +44 024 7663 9595
Fax: +44 024 7663 9559
e-mail: sales@ap racing.co.uk
Web site: HTTP://www.ap racing.com

© AP Racing Ltd. 2005

MINI COOPER R56 OE WHEEL KIT NUMBER CP7645-1001		
Ref	DESCRIPTION	QTY.
1	UPRIGHT REPRESENTATION	1
2	Ø 12.5 DISC WASHER	48
3	0.25UNF DISC Mtg NUT	24
4	1/4"UNF 6 LOBE BOLT	24
5	Ø 18.00MM BRACKET WASHER	4
6	M12x38 BRACKET Mtg BOLT	4
7	M10x65 CALIPER Mtg BOLT	4
8	Ø 16.00 CALIPER WASHER	4
9	CALIPER PADSET (4)	2
10	ANTI-RATTLE CLIP	2
11	0.50MM BRACKET SHIM	12
12	HOSE KIT	1
13	VENTED DISC RIGHT HAND VENTED DISC LEFT HAND	1 1
14	MOUNTING BRACKET	2
15	MOUNTING BELL	2
16	PAD RETAINER PINS	4
17	NYLON ARMOUR	2
18	CALIPER RIGHT HAND CALIPER LEFT HAND	1 1
19	BANJO BOLT	2
20	GASKET	4

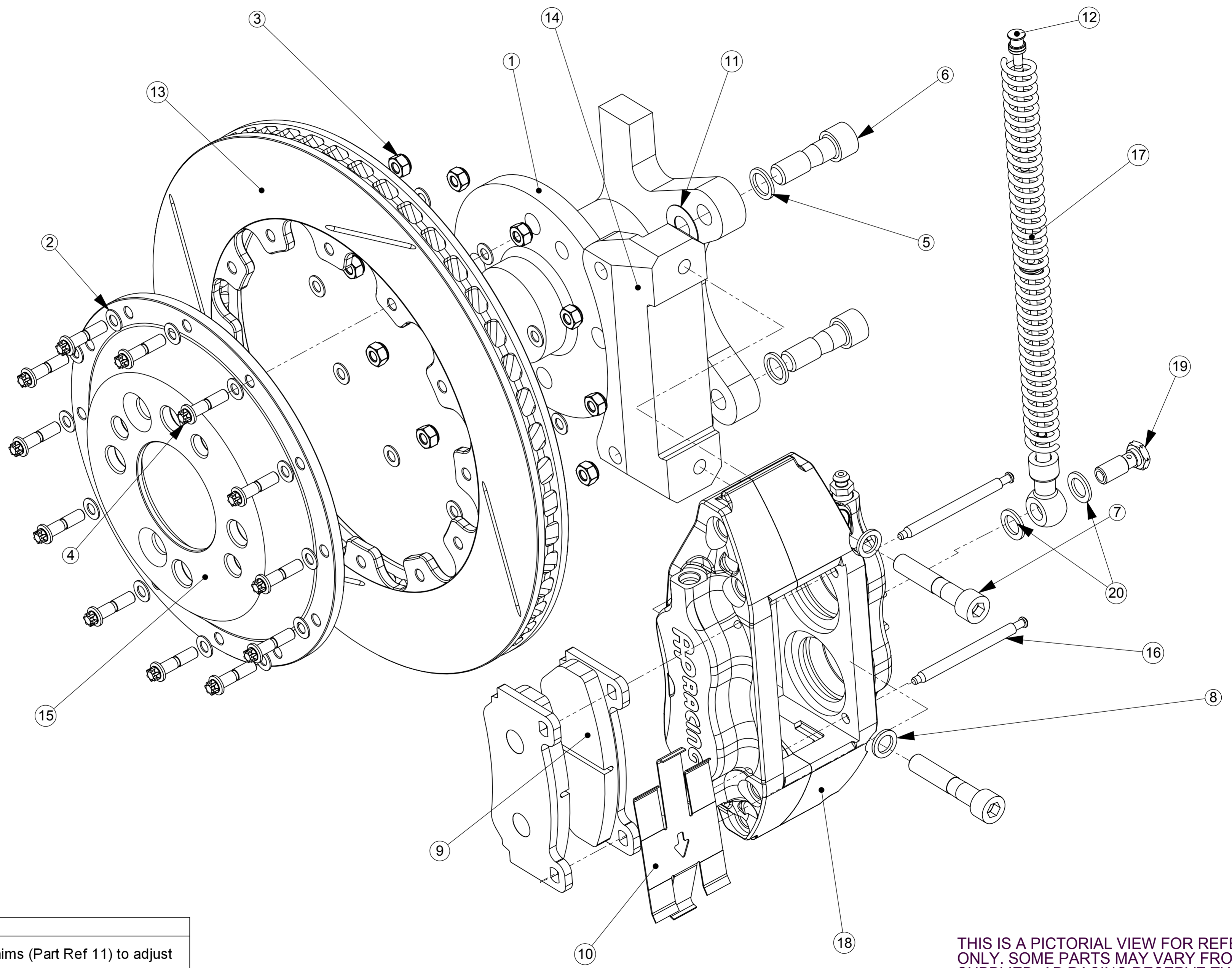
Tightening Torques	
Part Ref #	Torque
Bolt Ref 7	58NM
Bolt Ref 6	68NM
Bolt/Nut Ref 3/4	14NM
Banjo Bolt	25NM
Caliper Bleed Screw	17NM

BRAKE DISC WEAR	
NEW	MIN WORN
22.00mm	21.00mm

Comments

Check caliper is central over disc, use 0.5mm shims (Part Ref 11) to adjust bracket if required

Illustration is of right hand assembly



PLEASE RETAIN THIS SHEET FOR FUTURE REFERENCE

THIS IS A PICTORIAL VIEW FOR REFERENCE ONLY. SOME PARTS MAY VARY FROM THOSE SUPPLIED. AP RACING RESERVE THE RIGHT TO CHANGE COMPONENTS WITHOUT PRIOR NOTICE. Drawn BY: NICK STEVENS